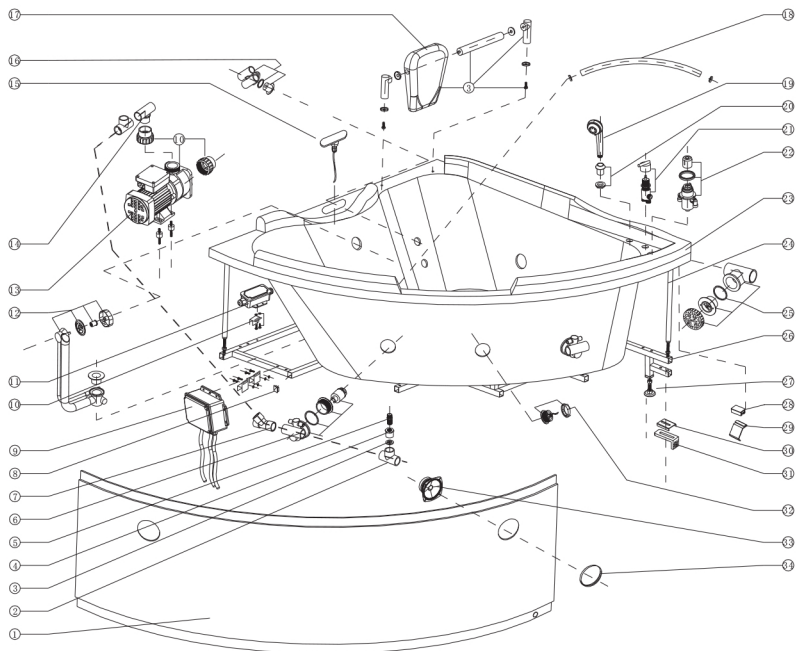


AM125ETL Component Struction



No.	Name	No.	Name
1	Skirt panel	19	Hand shower
2	1 Inch three way	20	Hand shower holder
3	One way stuff	21	Converter valve
4	Fitting nut	22	Thermostatic valve
5	4CM conversion	23	Bathtub
6	Side jet	24	Adjustable leg
7	1 Inch three way	25	Suction
8	Stainless steel stuff	26	Stainless steel bracket
9	PC board	27	Bathtub screw
10	Clip for PC panel	28	The spring base
11	Junction box	29	The spring
12	Drain	30	The gasket
13	Water pump	31	Skirt panel cover
14	Lengthened plastic	32	Bottom light
15	Control panel	33	Speaker
16	New side jet	34	Speaker net
17	Pillow	35	
18	Handle	36	